

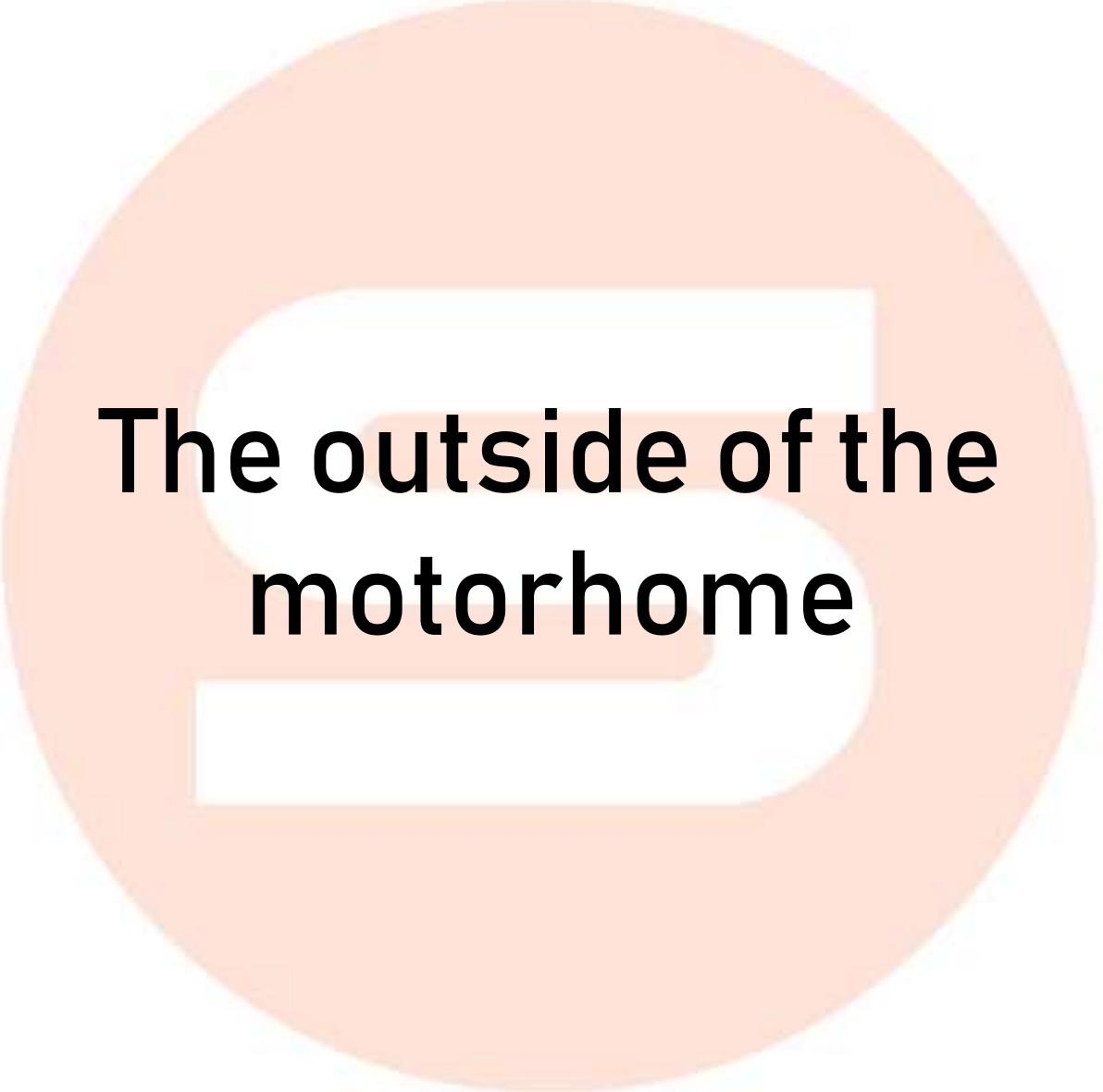


Luxury Motorhome Guide

PLEASE DO NOT REMOVE

Table of Contents

The outside of the motorhome	3
Outside of the vehicle diagram	4
Driving the motorhome	5
Dimensions of the motorhome.....	5
Power hook up	5
Storage compartment.....	6
Waste water tank.....	6
Toilet cassette	7
Water filling	8
Gas bottle/LPG	8
Fuel.....	8
The inside of the	9
motorhome	9
Main control panel	Error! Bookmark not defined.
Heating & hot water	Error! Bookmark not defined.
Cooking	13
<i>Cupboard/Drawer</i>	13
<i>Fridge/Freezer</i>	13
Rear Double bed.....	13
Boiler/ Frost control.....	14
Bathroom.....	15
<i>Toilet</i>	15
<i>Shower</i>	15
Living area (extra sleeping area)	16
TV/ DVD player.....	16
Pull down double bed	16
Camping in Winter	17
Camping in Summer	17
On the Road Issues.....	18
<i>Non Mechanical Issues:</i>	18
<i>Mechanical Issues:</i>	18
Other	19



The outside of the motorhome



Driving the motorhome

Take time to familiarise yourself with the Motorhome. Whilst driving always take corners slowly and with a wide turn. Your braking distance will be much longer, and accelerations are significantly lower than that of a standard car.

Keep in mind that the vehicle is much higher than a car. Pay attention to gateways and to roadside trees which may overhang the road. The Motorhome is also more sensitive to crosswinds.

When reversing always have a second person outside the vehicle to assist you.

Dimensions of the motorhome

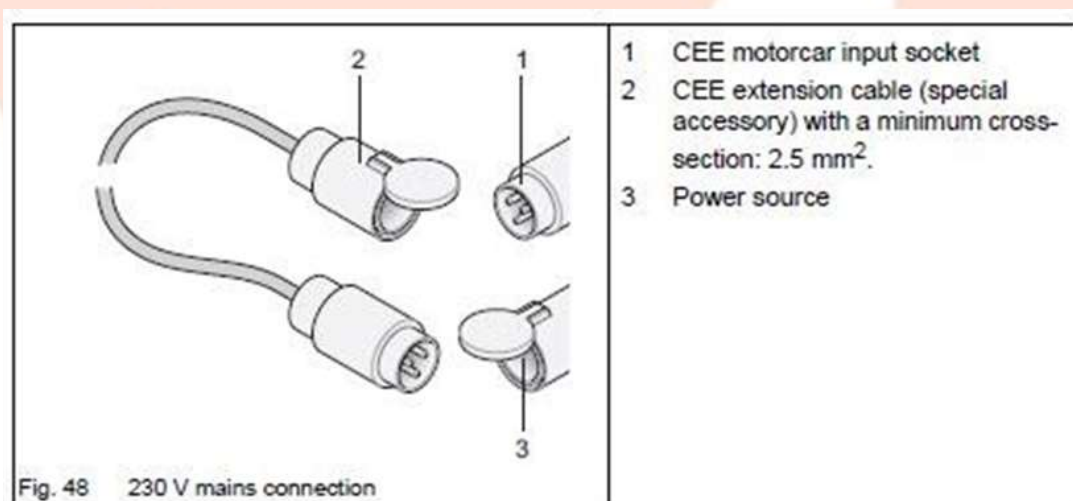
Length: 6.99metres

Width: 2.80metres

Height: 3.10metres

Power hook up

The Motorhome can be connected to a 230V external power supply which must be protected with a 30 mA ground-fault circuit breaker (fault current).



When connecting the cable always connect in to the motorhome first and then to the power source.

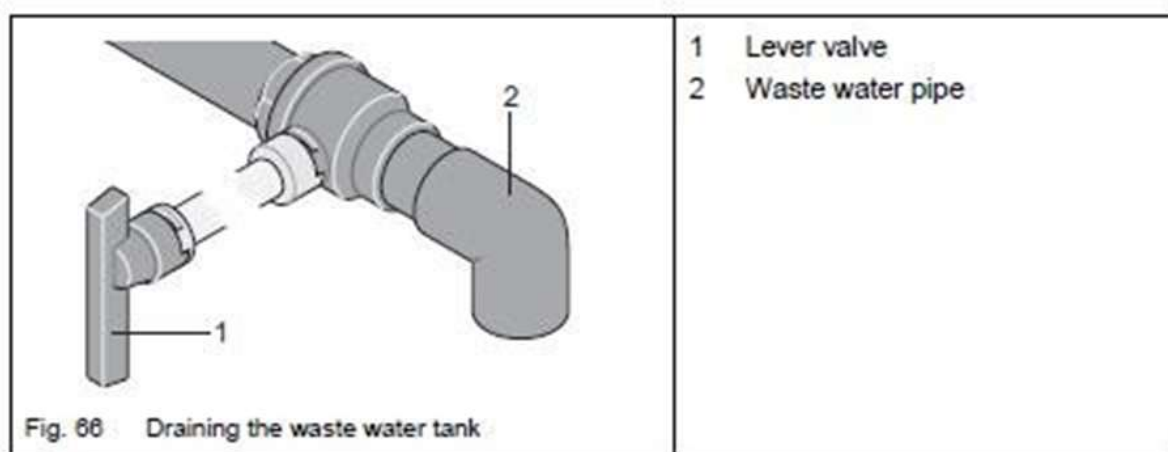
Storage compartment

You can find your power cable, hose, emergency kit, broom, mop and bucket and your dust pan and brush in the storage compartments. Carefully open the lockers and make sure they are locked before driving.

Waste water tank

Your shower and kitchen sink waste water is collected centrally in the waste water tank. This tank is sometimes referred to as a grey water tank. You will need to empty the waste water tank before you return the Motorhome at the end of your hire. You can see how full the waste water tank is on the control panel inside the Motorhome.

The tank is located on the passenger side underneath the motorhome behind the rear wheel archway.

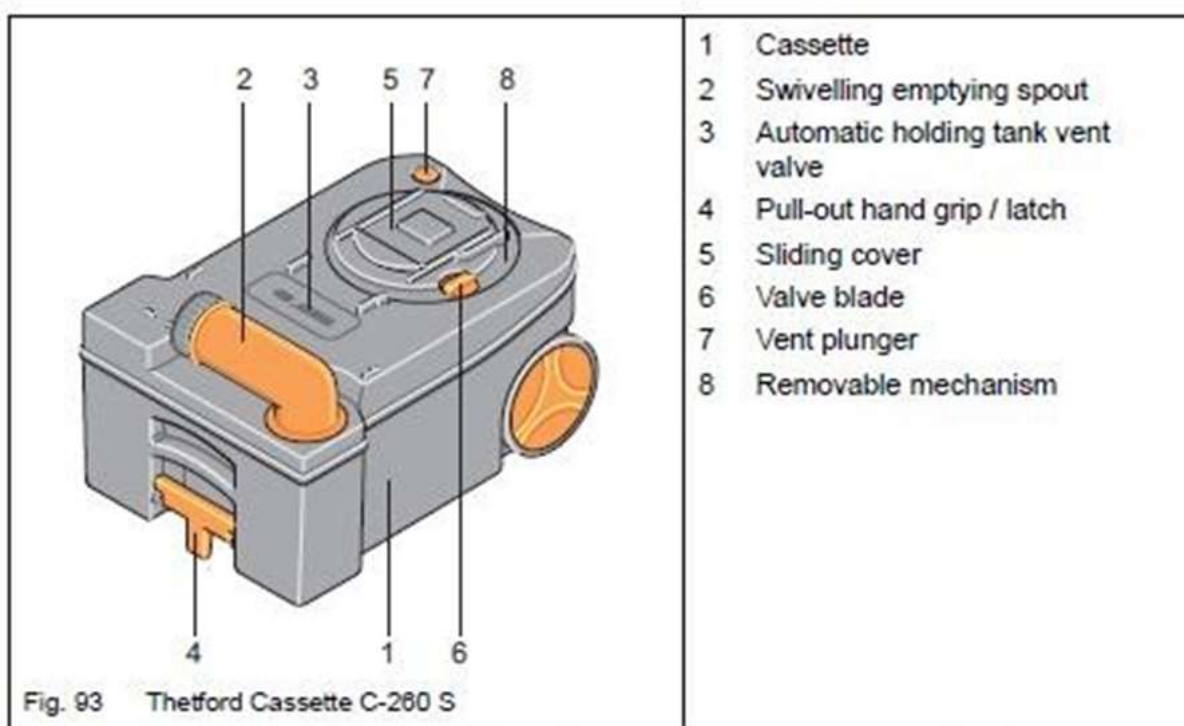


To empty the tank, you need to turn the lever valve to the right.

Toilet cassette

To empty the cassette you will need to make sure that the valve blade in the toilet is closed. Then you open the outer access door and pull the latch to take the cassette out. Make sure that the sliding cover is closed. Place the cassette upright having the emptying spout upwards. Press the vent to prevent it from splashing but only press it when the emptying spout is downward. Then turn the emptying spout upwards and unscrew the cap. Hold the cassette with one hand and empty it in the waste disposal station which you will find on most campsites.

The cassette will need to be rinsed a couple of times and the chemicals (purchased at almost all camping/ campsite store or with Spaceships) will need to be added to prevent unpleasant smells. It also ensures that the tank is clean on the inside. The cap of the emptying sprout is a measuring cup.



The cassette (Fig. 93/1) has a capacity of 18 l and should be emptied when the level indicator (Fig. 91/4) lights. Do not allow the cassette to become overfilled.

*Only empty the waste water tank and toilet cassette at special waste disposal stations which can be found at camping sites. Make sure BOTH are completely empty from any liquid when you returned the vehicle. If it's not empty, we will charge you £200.

Water filling

The Motorhome has a 100-litre fresh water tank. You are provided with a hose to fill up this tank. On the main control panel inside the motorhome, you can see how full the tank is.

Only fresh water must be put into the tank. Make sure no diesel is put in this tank. The cost of this error is worth over £10,000 and is not covered by any insurance.

Gas bottle/LPG

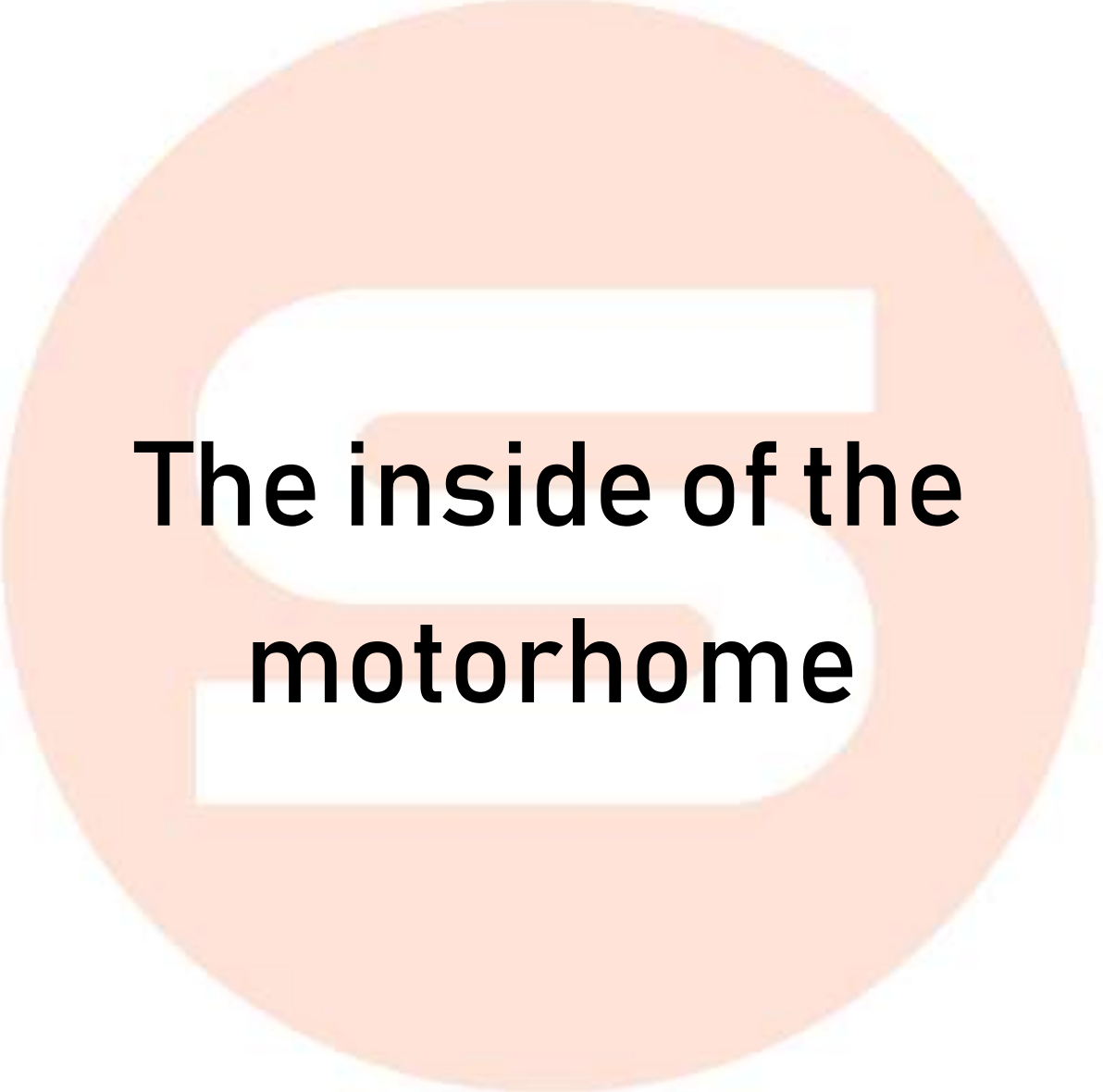
You are supplied with a refillable (cannot be exchanged/swapped) gas cylinder which can be filled up at gas stations that supply LPG/Autogas. We supply adaptors for all different EU connections. These are located in the gas locker in a pouch.

You find more information on where and how to fill this up in the gas locker.

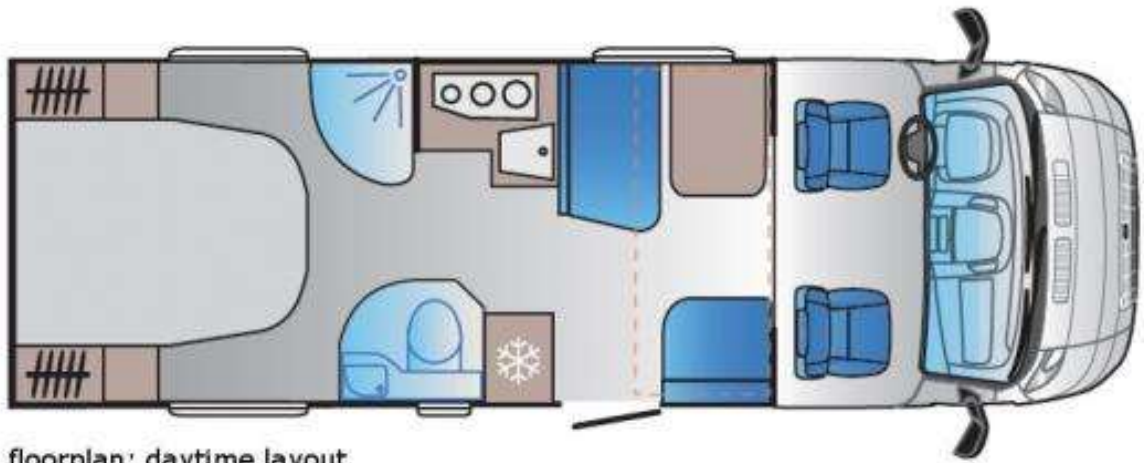
Fuel

The motorhome uses diesel and the fuel filling point is on the passenger side.

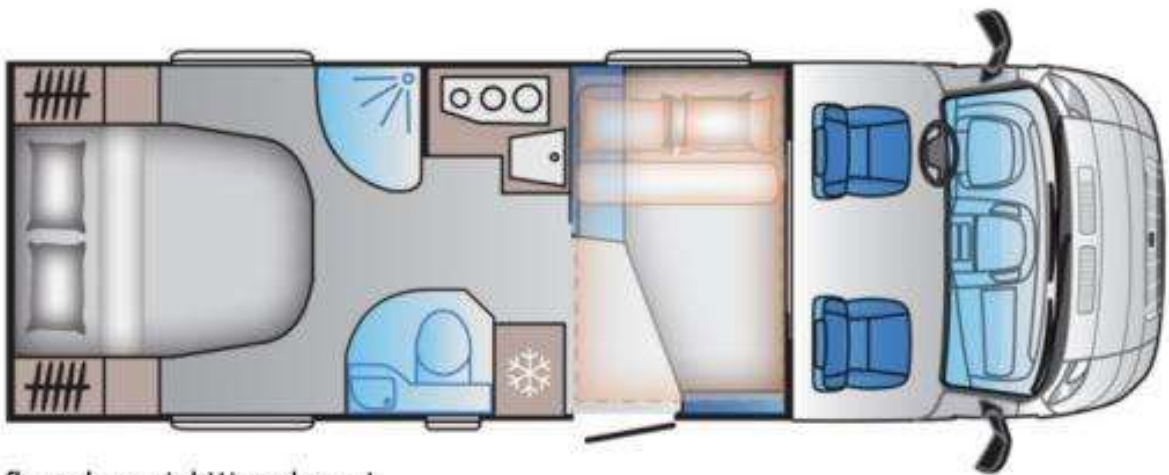
You will need the ignition key to unlock the cap.



The inside of the motorhome



floorplan: daytime layout

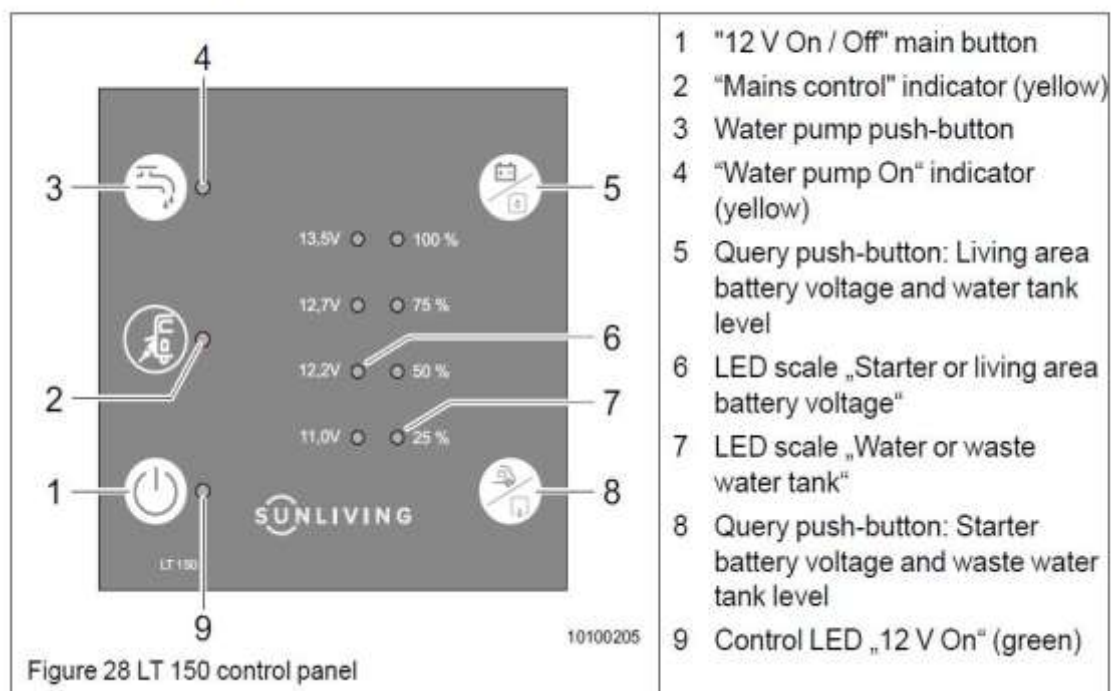


floorplan: nighttime layout

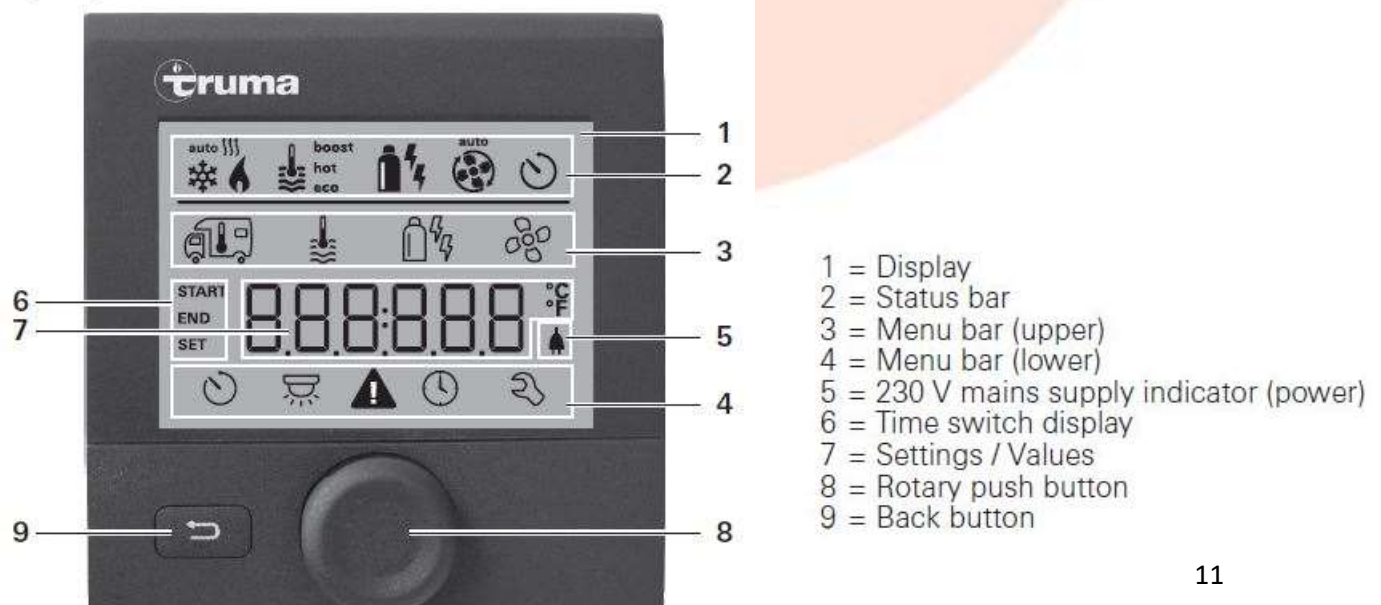
Main control panel

The main control panel has dual buttons on the right hand side which work as battery levels and water. This panel is also where you turn on the power to the motorhome and where you would turn the water pump on (this must be turned off when not in use). If plugged into the mains electricity an orange light will light up on the panel.

LT 150 control panel



Display and control elements



Heating & hot water – Truma panel

To turn on the panel you must hold the push button (fig 8) until it lights up.



Rotate clockwise

- Menu is run through from left to right.
- Increase values (+).



Rotate anticlockwise

- Menu is run through from right to left.
- Decrease values (-).



Tapping

- Accept (save) a selected value.
- Select a menu item, switch to setting level.

Once the panel is turned on you will need to select the energy source:

- Gas is the most efficient and most powerful source of heating/hot water heating.
- You must be hooked up on mains power (240V) in a campsite or other to use the electrics setting



Select energy source

- Select icon in menu bar (3) with rotary push button.
- Change by tapping in the setting level.
- Select desired energy source with rotary push button.
- Tap the rotary push button to confirm the value.

Operating mode

Operating mode	Energy mode
Gas	Gas
MIX 1	Electric (900 W) + Gas
MIX 2	Electric (1800 W) + Gas
EL 1	Electric (900 W)
EL 2	Electric (1800 W)

After you have selected the energy source you may turn on the heating, if you wish to only heat water skip this step.

- The numbers mean the number of degrees in Celsius.



Change room temperature

- Select icon in menu bar (3) with rotary push button.
- Change by tapping in the setting level.
- Select desired temperature with rotary push button.
- Tap the rotary push button to confirm the value.

If you wish to heat the water then you must have the water boiler ON.

- You can select either 40 degrees (ECO mode) or 60 degrees (HOT) depending on what you wish to use. This is also in Celsius.



Change hot water level

- Select icon in menu bar (3) with rotary push button.
- Change by tapping in the setting level.
- Select desired level with rotary push button.
- Tap the rotary push button to confirm the value.

Cooking

Before you start cooking make sure that you have gas and the the gas valve is open on the gas bottle. Use the igniter to create a spark then push down and turn the knob. Whilst cooking always leave the window open for ventilation. Be aware that the glass lid gets hot whilst cooking.

When you have finished cooking always make sure that the hob has cooled down before putting the glass lid back down.

Cupboard/Drawer

Please note there is a latch behind all cupboards so they stay closed when driving.

Please ensure all crockery is stowed securely before driving. These are located in the garage in the black box, please return with all crockery back in the box clean.

Fridge/Freezer

The fridge/ freezer will work either on mains electricity, the gas or from the vehicle itself whilst the engine is running. When using the gas setting make sure that the Motorhome is completely level.

A is "Auto". This means the fridge itself will select the appropriate power source. The fridge should be placed on Auto at all times. If the lights are flashing then you must check what the fault is. The fault will be either no power (e.g.: no gas, mains not plugged in, vehicle not running) or the vehicle is not level if it's gas you're using. After this has been rectified turn off the fridge and turn it back on to reset it.

Rear Double bed

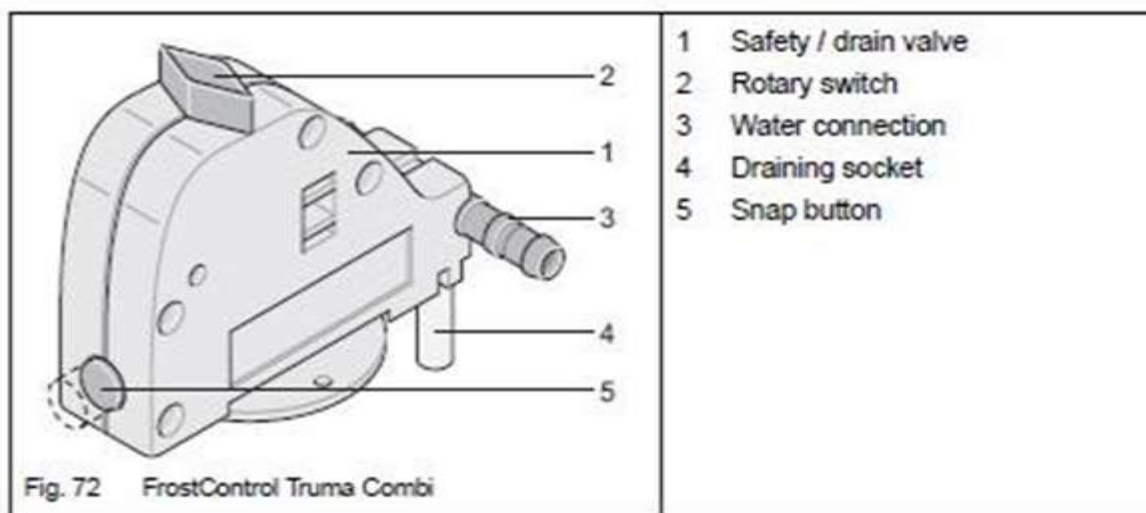
In the rear, there is one large double bed, which is very easy to use. When facing the bed, place your hand underneath reaching for the handle and pull towards you to make the bed go fully flat. Push this back in to give yourself more space during the day.

Boiler/Frost control

Your frost control valve is located underneath the main seating area. You will most likely have to remove the cushions and the main table to access this.

When the temperature falls below approx. 3°C, the drain valve will automatically open and the remaining water in the boiler will go out through a drainage pipe underneath the vehicle. This is to prevent the pipes freezing.

During winter we advise you to leave your heater on so that the valve will not automatically open. However, if this does occur then please make sure the heater is on, wait approx. 10/15 minutes and then turn the blue safety switch to the right (the blue switch will point to the front and back of the Motorhome) and press the snap button. This is explained in further details on the Frost Valve Sheet about where this is located.



Bathroom

Toilet

Turn the toilet bowl to the desired position using both hands. Make sure that the water pump has been switched on at the control panel otherwise the toilet flush won't work. Before flushing use the valve blade to open the cassette. After use please close the valve blade again to prevent odours coming into the Motorhome.

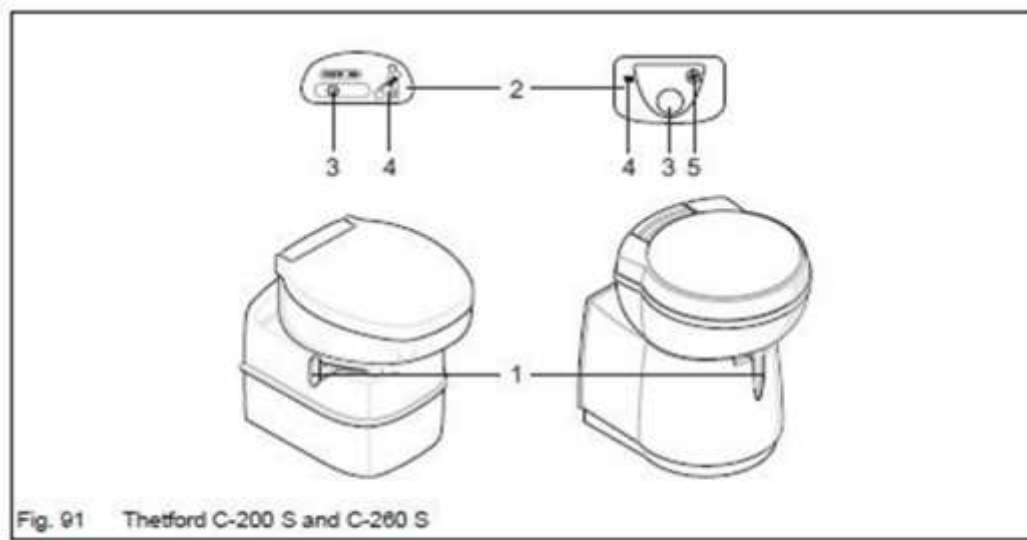


Fig. 91 Thetford C-200 S and C-260 S

- 1 Lever for opening the valve blade
- 2 Operator panel
- 3 Flush button
- 4 Waste level indicator
- 5 Automatic ventilator (special equipment)

Shower

When taking a shower please make sure that the sky roof is open for ventilation. To close the shower door please unclick the lever.

To prevent flooding, the vehicle must be on level ground when the shower is used. Never use the shower when the waste (grey) water tank is full.

Living area (extra sleeping area)

If you are travelling with 5 people then your living area can be transformed into a sleeping area. This can be converted into a single bed underneath the pull down double bed.

To transform the living area please see our youtube instruction video which shows a step by step of this.

TV/ DVD player

The TV/DVD player will work as soon as you have turned on the power on the control panel. You can put the DVD in on the right-hand side and use the controller to play the DVD. The motorhome has an aerial which means you can watch TV in the UK and in any other European countries. You will normally need to retune the channels manually with the remote each time you get to a new location. Please note there is limited coverage in Scotland/remote areas.

Pull down double bed

Your other double bed is pulls down from the ceiling in the main living area. To use the bed, you must take the head rests out on the main seating area and the seat behind the drivers seat. Unclip the bed and pull the bed and attach the ladder. Please do not stand on anything else but the ladder when climbing up to the bed. There is also a bed rail underneath the mattress to stop children falling, this clips into the clips attached to the roof.

Camping in Winter

Going camping during winter is getting more and more popular.

These tips will help you stay safe and warm during winter.

- ⑤ Check the weather and road conditions before departing
- ⑤ Avoid roads with large uphill/downhill gradients
- ⑤ Check if the campsite is open and is Motorhome friendly.
- ⑤ If it has snowed the night before please clear it from the roof, all windows, mirrors and lights as well as the wheel arches.
- ⑤ Do not park underneath trees.
- ⑤ Clear the snow from the parking area before pitching the vehicle.
- ⑤ Secure the vehicle with wheel chocks to prevent rolling. Release the handbrake to prevent freezing.
- ⑤ Make sure the vents aren't covered by snow
- ⑤ Always leave the heater on during the night to prevent the frost valve opening.
- ⑤ Make sure you have more than enough LPG. We suggest filling up when you get to half full

Camping in Summer

During summer you will need to be aware about the following.

- ⑤ Book your campsite in advance and make sure it is Motorhome friendly.
- ⑤ Use the summer mode on your thermos control panel for hot water.
- ⑤ If you see a petrol stations that has LPG check if you have much remaining as LPG isn't available at all stations
- ⑤ Please plan your routes carefull as roads can be very busy in summer

On the Road Issues.

Please remember that we have a bank of information in our FAQ's (www.spaceshipsrentals.co.uk/faqs) under the On Road Issues tab with step by step videos and explanations to fix 99% off all non mechanical issues.

Non Mechanical Issues:

The easiest and quickest way for you to fix any of these issues or get an explanation on how to use it correctly is through this guide or the On Road issues tab of the FAQ's. However, if this has not worked we can be contacted by email or by phone (9-5pm) if you aren't able to fix your issue.

Spaceships Phone Number: 0208 573 2300

Mechanical Issues:

If you have any mechanical issues that are not a physical breakdown please contact us directly and we can advise on what to do. An example of this is a service light etc.

If you have a breakdown, please call Fiat Camper Assist (RAC). All you need to do is give them the registration and they will assist anywhere in the EU. The number is on the drivers sunvisor.

Other

No warm water

Check if your gas bottle is open or if you are using the mains hook up please check the cable has been contacted correctly.

Then check your controls and see if the settings are correct. Use page 12 for the settings options.

No hot air/heating

Check if your gas bottle is open or if you are using the mains hook up please check the cable has been contacted correctly.

Then check your controls and see if the settings are correct. Please see page 12 for the settings options.

Water dripping from boiler outside

Check if the frost control valve is open. If this is the case, please reset this and the boiler will stop dripping water.

Please see the frost control sheet.

No electricity

Check that the light on the control panel isn't showing. If it's not, then the vehicle is not getting power to the vehicle. Check if the mains hook up has been inserted correctly in to the power socket outside the vehicle, also check the campsite and the trip fuse box of both the campsite and the motorhome (this is under the main seating area bench in a small box) This should fix it and give you power to the vehicle.

No light showing on the controls

Please turn the main control panel off for about 15 seconds. Then turn it back on and set it to the correct settings. Now the light should be showing again.

Is the water drinkable

We advise not to drink the water from the taps.



Spaceships Rentals

London Branch: Reeds Service Park, 86 Welley Road, Wraysbury, TW19 5EP

Edinburgh Branch: 13 Tartraven Place, Broxburn, EH52 5LT

Dublin Branch: Garlow Cross, Philpotstown, Co. Meath, Ireland

Contact us:

On phone: 0208 573 2300 /+44 208 573 2300

Email: info@spaceshipsrentals.co.uk

Website: www.spaceshipsrentals.co.uk/faqs